

# Niagara Pump

## Power and Flexibility



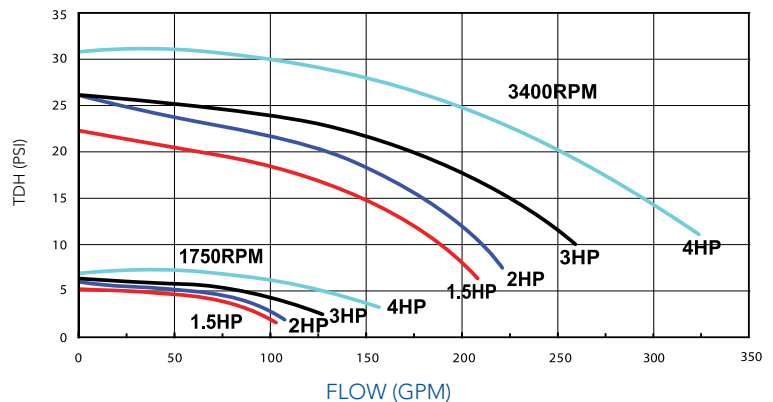
### FEATURES

- High flow rates exceeding 325 gallons per minute for maximum performance in your luxury applications
- All seals are carbon ceramic with Viton® elastomers for long-lasting performance, easily enduring prolonged heat and chemical exposure
- Multi-directional volute mountings provide the flexibility to accommodate any configuration; 2" and 2.5" suction options
- Cool running 56 frame motor
- Available in 230V or 115V 60Hz motors for North America and 230V 50Hz TEFC motors for Europe
- Choose single- or two-speed motor from 1.5 to 4 HP; with two-speed models, sanitation and heating can occur while maintaining lower operational costs
- Specify an ultra efficient motor and our highest efficiency hydraulics versions help meet appliance efficiency regulations
- Reliable performance and long service life for more enjoyable ownership
- UL, TUV, CSA, and CE/VDE/GS certified

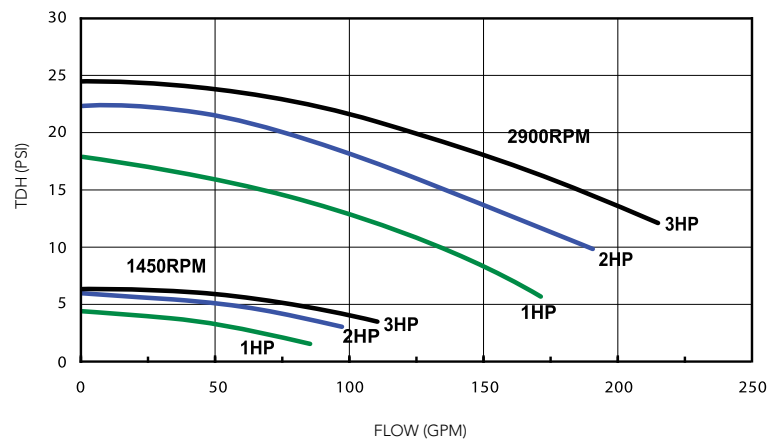
Premier Niagara pumps are the ultimate benchmark in design flexibility and performance. From small applications for zone seating and focused therapy up to multi pump configurations to run 100+ jetted systems, Niagara pumps supply the specific performance features you require and the long service life and powerful performance spa owners demand.

Niagara pumps offer the options you need...an energy-efficient package, unsurpassed design flexibility, ease of installation, high flow rate and dependable operation. Contact your Balboa Water Group representative for more information.

60Hz PERFORMANCE CURVE North America Model



PERFORMANCE CURVE 50Hz International Models



# Niagara Pump

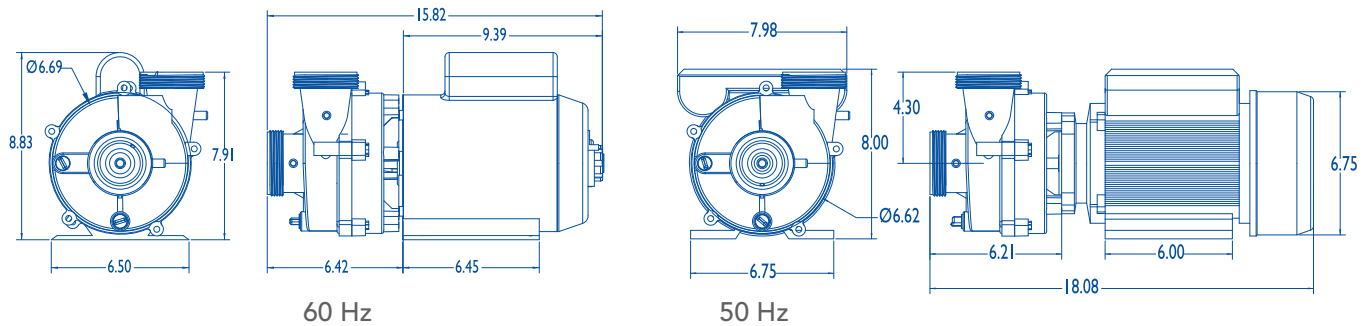
## Pump Configurations

### SPECIFICATIONS

- Center suction / radial side discharge orientation
- Suction Port: . . . . . 2" or 2.5"
- Discharge Port: . . . . . 2"
- Mechanical Seal: . . . . Carbon ceramic with Viton elastomers

### OPTIONS

- True rated 1.5, 2, 3 and 4 HP models
- 115 volt options in 1.5 HP; remaining motors 230V 60Hz for North America and 230V 50 Hz TEFC motors for Europe
- 48 or 56 Frame Size 60 Hz
- 80 or 90 Frame Size 50 Hz
- Class F insulation
- Single or 2-speed models
- All spa pack or plug and play connection leads available



### Descriptions:

Niagara pumps offer the options you need...an energy-efficient package, unsurpassed design flexibility, ease of installation, high flow rate and dependable operation.

### MOTOR OPTIONS

- True rated 1.5, 2, 2.5, 3 and 4 HP models
- 115 volt options in 1.5 HP; remaining motors 230V 60Hz for North America and 230V 50 Hz TEFC motors for Europe
- 48 or 56 frame
- Class F insulation
- Single- or 2-speed models
- All spa pack or plug and play connection leads available
- Energy-Efficient package option