

## DeltaSol® AL

– high performance at an attractive price!

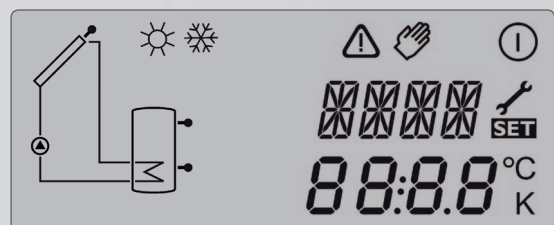


### Simplicity and convenience all in one solar controller!

The *DeltaSol*® AL offers all the vital functions for a standard solar system with an optimum in clarity and convenience!

- ✓ System-Monitoring-Display
- ✓ Slide switch 0 Auto I
- ✓ Energy metering
- ✓ Function control
- ✓ Solar operating hours counter
- ✓ Intuitive operating concept
- ✓ RESOL VBus® data interface
- ✓ Energy-efficient through extra-low standby power consumption
- ✓ Unit indication switchable from °C to °F
- ✓ Programming and remote control of the system via RESOL ServiceCenter software possible

Keep an eye on your system...

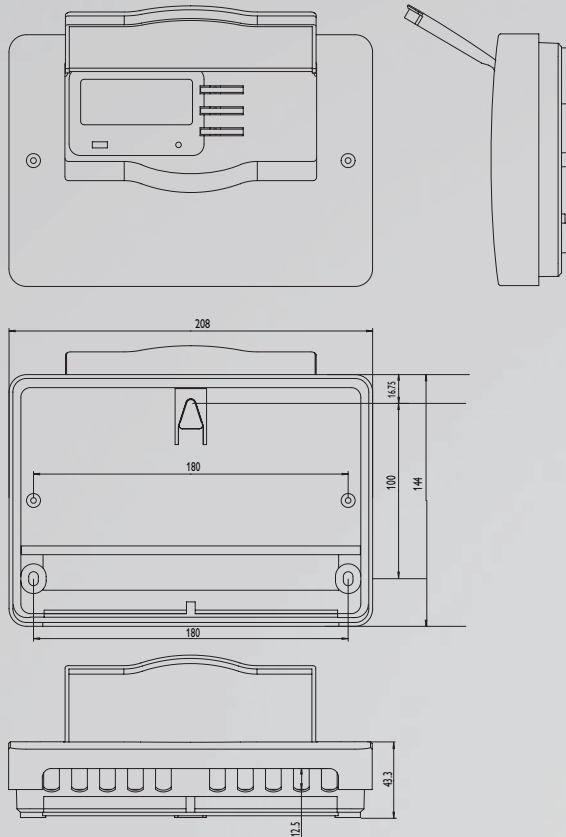


...with the comprehensive display



cTUVus certified!

# Technical data



**Housing:** plastic, PC-ABS and PMMA

**Protection type:** IP 20/EN 60529

**Protection class:** II

**Ambient temperature:** 0 ... 40 °C / 32 ... 104 °F

**Dimensions:** 144 x 208 x 43 mm / 5.67" x 8.19" x 1.69"

**Installation:**

wall mounting, mounting into patch panels possible

**Display:** system-monitor for visualization, 16-segment display, 7-segment display, 8 symbols for system states, background illumination and operating control lamp

**Operation:** 3 push buttons and 1 slide switch

**Functions:** differential temperature controller for standard solar systems, function control according to BAFA directives

**Inputs:** for 3 Pt1000 temperature sensors

**Outputs:** 1 electromechanical relay with change-over contact

**Bus:** RESOL VBus®

**Power supply:** 100 ... 240 V~ (50 ... 60 Hz)

**Standby power consumption:** 0.5 W

**Switching capacity:** 4 (1) A (100 ... 240) V~

**Mode of operation:** type 1.b



## VBus®Touch – the solar system at your fingertips

The RESOL app for the Apple iPad makes your solar yield palpable – worldwide!

The basic version of the VBus®Touch app is available for download free of charge on the App Store.

To visualize your individual system, a RESOL controller with VBus® data interface and a DL2 datalogger are required.



VBus® is a registered trademark of RESOL GmbH  
App Store and iPad are registered trademarks of Apple Inc.

